

## SE-5R5-Z104VY

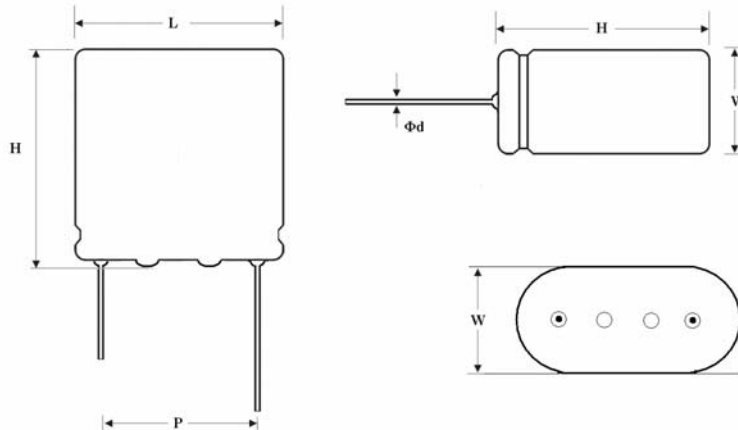
### 1. Specification

Item		Specification/Condition
01	Part №	SE-5R5-Z104VY
02	Rate discharge capacitance (F 25°C ΔV=1.5V-1.25V I=0.01A)	0.1F
03	Capacitance tolerance	-20%~+80%
04	Nominal Voltage U <sub>0</sub> (V)	5.5
05	Operating temperature range	-25°C~70°C
06	MAX.ESR(mΩ 1KHz)	1400
07	Dimension(mm ΦD×L)	6×11×14
08	Down-lead distance(mm P)	6±0.5
09	Down-lead diameter(mm Φd)	0.5±0.05
10	Cycle life Expectancy	After nominal voltage,100,000 times charge-discharge circle   ΔC/C   ≤30% of the initial value ,ESR≤4 times of the specified value(25°C).

### 2 Environmental Specification

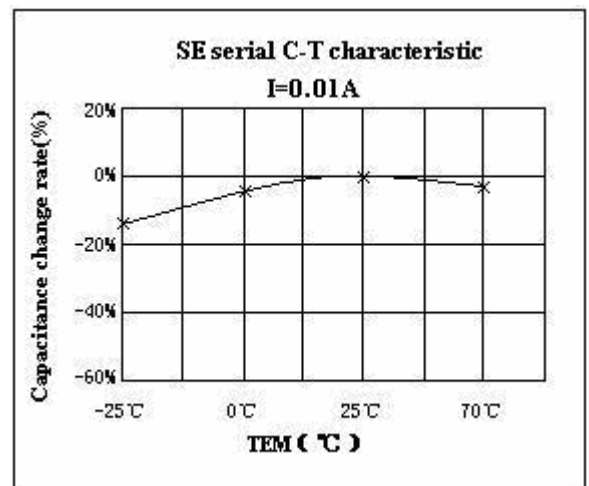
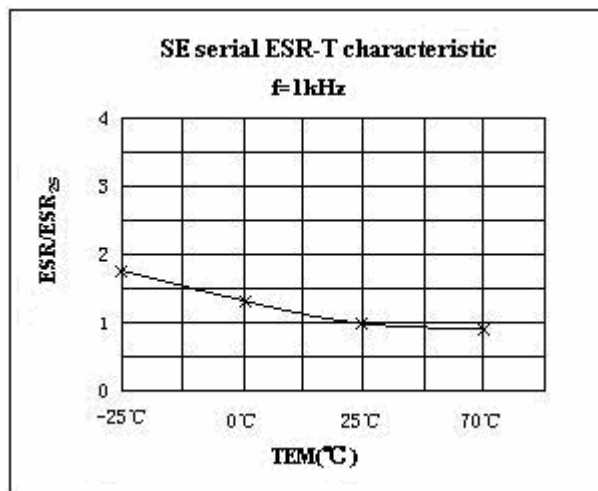
Item		Specification/Condition
01	Temperature characteristics	+70°C,   ΔC/C   ≤30% of the initial value, ESR≤specified value (25°C) -25°C,   ΔC/C   ≤50% of the initial value, ESR≤4 times of specified value (25°C)
02	High temperature load characteristics	After +70°C±2,nominal voltage, 1000h,   ΔC/C   ≤30% of the initial value, ESR≤4 times of specified value (25°C)。
03	High temperature without load characteristics	Same with the High temperature load characteristics
04	Humidity Resistance	After +40°C±2, 90--95%RH, 240h,   ΔC/C   ≤30% of the initial measured value, IL≤2 times of specified value (25°C) ,ESR≤4 times of specified value (25°C)。

### 3 Figure and Dimension



### 4 Temperature and Life Characteristics Test Results

#### (1)、Temperature characteristics



#### (2)、Life characteristics

